

# Clarke® CONTRACTOR®



## 110 MM ELECTRIC PLANER

MODEL NO: CON950

PART NO: 6462024

### OPERATION & MAINTENANCE INSTRUCTIONS

UK  
PA | CE



ORIGINAL INSTRUCTIONS

DL0422 - ISS 2

---

## INTRODUCTION

---

Thank you for selecting this Clarke Electric Planer.

The electric planer is intended for removing surface material with a rotating blade that is parallel to the base plate.

---

## GUARANTEE

---

The product is guaranteed against faulty manufacture for a period of 12 months from the date of purchase. Your receipt is required as proof of purchase.

This guarantee is invalid if the product is found to have been abused, tampered with, or not used for the purpose for which it was intended.

Faulty goods must be returned to their place of purchase, do not return it to us without prior permission.

This guarantee does not effect your statutory rights.

---

## ENVIRONMENTAL RECYCLING POLICY

---



Through purchase of this product, the customer is taking on the obligation to deal with the WEEE in accordance with the WEEE regulations in relation to the treatment, recycling & recovery and environmentally sound disposal of the WEEE.

In effect, this means that this product must not be disposed of with general household waste. It must be disposed of according to the laws governing Waste Electrical and Electronic Equipment (WEEE) at a recognised disposal facility.

---

# GENERAL POWER TOOL SAFETY WARNINGS

---



**WARNING: READ ALL SAFETY WARNINGS AND ALL INSTRUCTIONS. FAILURE TO FOLLOW THE WARNINGS AND INSTRUCTIONS CAN RESULT IN ELECTRIC SHOCK, FIRE AND/OR INJURY.**

---

Save all warnings and instructions for future reference.

The term “power tool” in the warnings refers to your mains-operated electric planer.

## WORK AREA SAFETY

1. **Keep work area clean and well lit.** Cluttered or dark areas invite accidents.
2. **Do not operate power tools in explosive atmospheres, such as in the presence of flammable liquids, gases or dust.** Power tools create sparks which can ignite the dust or fumes.
3. **Keep children and bystanders away while operating a power tool.** Distractions can cause you to lose control.

## ELECTRICAL SAFETY

1. **Power tool plugs must match the outlet. Do not modify the plug in any way. Do not use any adapter plugs with earthed (grounded) power tools.** Unmodified plugs and matching outlets will reduce risk of electric shock.
2. **Avoid body contact with earthed or grounded surfaces, such as pipes, radiators, ranges and refrigerators.** There is an increased risk of electric shock if your body is earthed or grounded.
3. **Do not expose power tools to rain or wet conditions.** Water entering a power tool will increase the risk of electric shock.
4. **Do not abuse the cord. Do not use the cord for carrying, pulling or unplugging the power tool. Keep cord away from heat, oil, sharp edges or moving parts.** Damaged or entangled cords increase the risk of electric shock.
5. **When operating a power tool outdoors, use an extension cord suitable for outdoor use.** Use of a cord suitable for outdoor use reduces the risk of electric shock.
6. **If operating a power tool in a damp location is unavoidable, use a residual current device (RCD) protected supply.** Use of an RCD reduces the risk of electric shock.

## PERSONAL SAFETY

1. **Stay alert, watch what you are doing and use common sense when operating a power tool. Do not use a power tool while you are tired or under the influence of drugs, alcohol or medication.** A moment of inattention while operating power tools can result in personal injury.
2. **Use personal protective equipment. Always wear eye and ear protection.** Protective equipment such as dust mask, non-skid safety shoes, hard hat, or hearing protection used for appropriate conditions will reduce personal injuries.
3. **Prevent unintentional starting. Ensure the switch is in the off position before connecting to power source, picking up or carrying the tool.** Carrying power tools with your finger on the switch or energising power tools that have the switch on invites accidents.
4. **Remove any adjusting key or wrench before turning the power tool on.** A wrench or a key left attached to a rotating part of the power tool can result in personal injury.
5. **Do not overreach. Keep proper footing and balance at all times.** This enables better control of the power tool in unexpected situations.
6. **Dress correctly. Do not wear loose clothing or jewelry. Keep your hair, and clothing away from moving parts.** Loose clothes, jewelry or long hair can be caught in moving parts.
7. **If devices are provided for the connection of dust extraction and collection facilities, ensure these are connected and correctly used.** Use of dust collection can reduce dust-related hazards.

## POWER TOOL USE AND CARE

1. **Do not force the power tool. Use the correct power tool for your application.** The correct power tool will do the job better and safer at the rate for which it was designed.
2. **Do not use the power tool if the switch does not turn it on and off.** Any power tool that cannot be controlled with the switch is dangerous and must be repaired.
3. **Disconnect the plug from the power source before making any adjustments, changing accessories, or storing power tools.** Such preventive safety measures reduce the risk of starting the power tool accidentally.
4. **Store idle power tools out of the reach of children and do not let persons unfamiliar with the power tool or these instructions to operate the power tool.** Power tools are dangerous in the hands of untrained users.
5. **Maintain power tools. Check for misalignment or binding of moving parts, breakage of parts and any other condition that can affect the power tool's**

**operation. If damaged, have the power tool repaired before use.** Many accidents are caused by poorly maintained power tools.

6. **Keep cutting tools sharp and clean.** Sharp cutting edges are less likely to bind and are easier to control.
7. **Use the power tool, accessories and tool bits etc. in accordance with these instructions, taking into account the working conditions and the work to be performed.** Use of the power tool for operations different from those intended could result in a hazardous situation.

## SERVICE

1. **Have your power tool serviced by a qualified repair person using only identical replacement parts.** This will ensure that the safety of the power tool is maintained.

---

## PLANER SAFETY WARNINGS

---




1. **Wait for the blade to stop before setting the planer down.** An exposed rotating blade can strike the worktop, leading to possible loss of control and injury.
2. **Hold the planer by insulated gripping surfaces, because the blade may contact its own cable.** Cutting a "live" wire may make exposed metal parts of the planer "live" and could give the operator an electric shock.
3. **Use clamps or another practical way to secure and support the workpiece to a stable platform.** Holding the workpiece by your hand or against the body leaves it unstable and can lead to loss of control.
4. **Always start the planer before the blade is in contact with the workpiece and let the blade reach full speed.** The tool can vibrate or chatter if blade speed is too slow at beginning of the cut and possibly kickback.
5. **Check the workpiece for nails or screws. If there are nails/screws, either remove or set them well below intended finished surface.** Kickback, damage to the blades and personal injury can result if the planer blades strike objects like nails.
6. **Unplug the planer before changing accessories. Before plugging the planer in, check that the trigger lock is "OFF".** Accidental start-ups can occur if the planer is plugged in while changing an accessory.
7. **After changing blades, rotate the blade drum to make sure the blades are not hitting any part of the housing and that the blade locking screws are tight.** Spinning blades could strike the tool housing and damage the tool as well as causing possible injury.
8. **Always hold the planer firmly with both hands for maximum control.**

9. **Do not pull the planer backward over the workpiece.** Loss of control can occur.
10. **Do not put your fingers or any objects into the shavings exhaust port or clean out shavings while the tool is running.** Contact with blade will cause injury.
11. **Remove the plug from the power source if it becomes necessary to remove woodchips.** The blades are hidden from view and you may be cut if the blade is touched.
12. **Do not use dull or damaged blades. Sharp blades must be handled with care.** Damaged blades can snap during use. Dull blades require more force to push the tool, possibly causing the blade to break.

---

## SAFETY SYMBOLS

---

	<p>Read instruction manual before use</p>
	<p>Wear safety glasses</p>
	<p>Wear ear defenders</p>

# ELECTRICAL CONNECTIONS



**WARNING: READ THESE ELECTRICAL SAFETY INSTRUCTIONS FULLY BEFORE CONNECTING THE TOOL TO THE MAINS SUPPLY.**

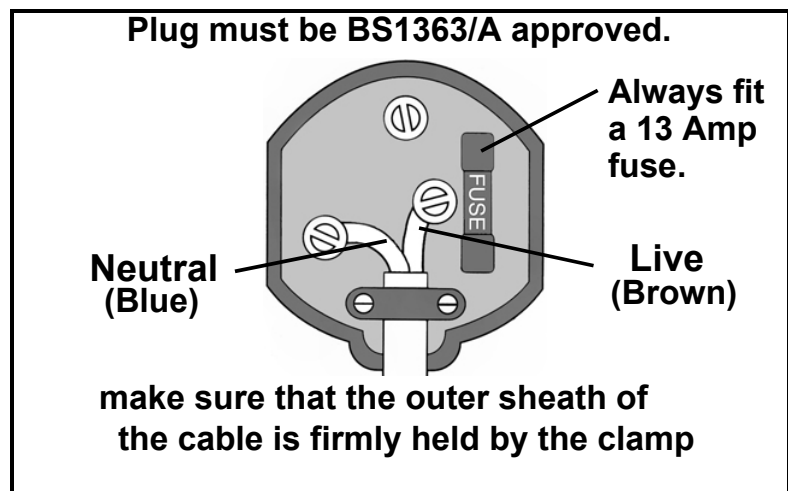
This tool is provided with a standard 13 amp, 230 volt (50Hz), BS 1363 plug, for connection to a standard, domestic electrical supply. If the plug need changing, make sure that a plug of identical specification is used.



**WARNING: THE WIRES IN THE CABLE ARE COLOURED AS FOLLOWS:  
BLUE = NEUTRAL    BROWN = LIVE**

If the colours of the wires in the power cable do not correspond with the markings on the terminals of your plug, proceed as follows.

- Connect the **blue** wire to the terminal which is marked **N**.
- Connect the **brown** wire to the terminal which is marked **L**.



**We recommend that this machine is connected to the mains supply via a Residual Current Device (RCD)**

If in doubt, consult a qualified electrician. DO NOT attempt any repairs yourself

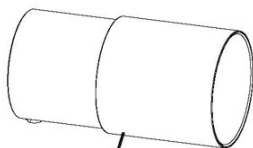
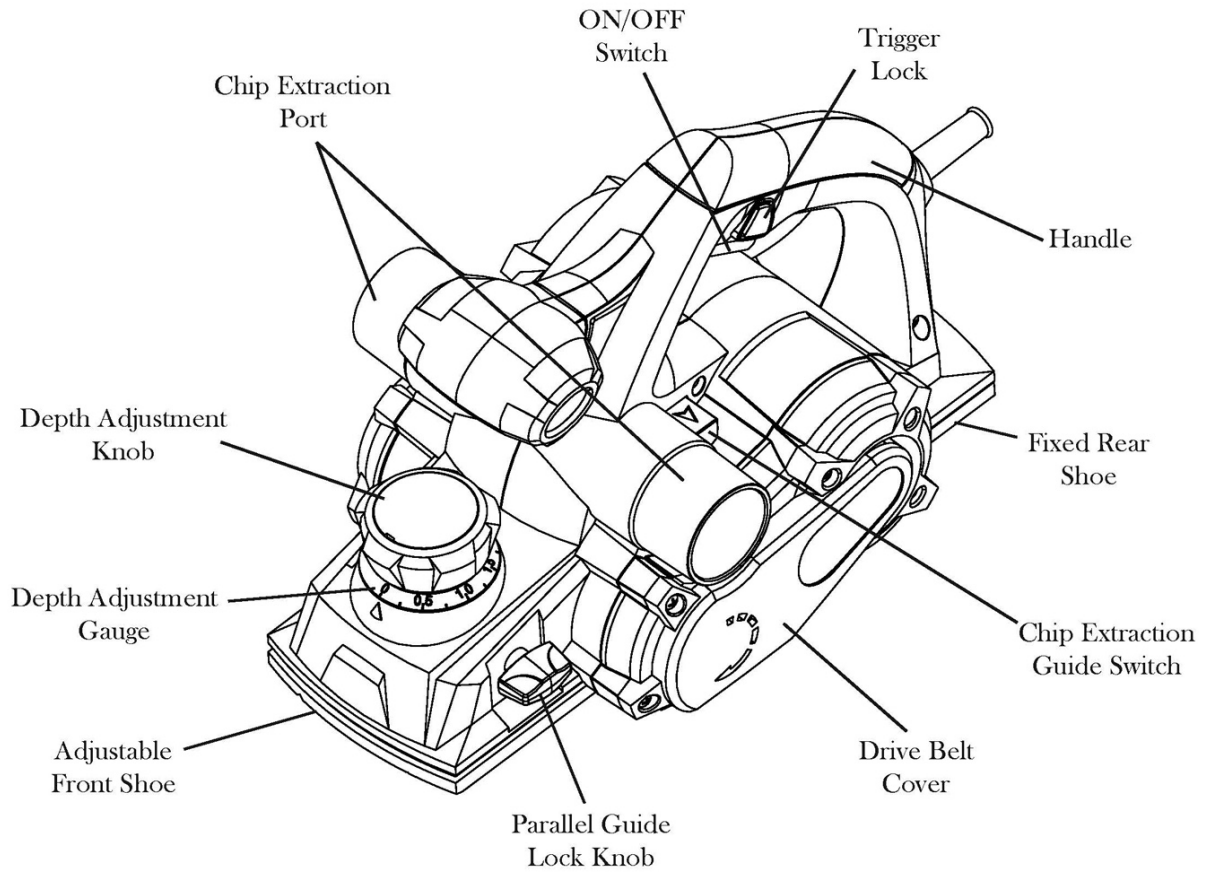


**This symbol indicates that this is a Class II product, and does not require an earth connection.**

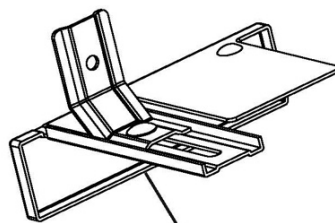
## EXTENSION CABLE

Always use an approved extension cable suitable for the power rating of this tool (see specifications), the conductor size must be at least the same size as that on the machine, or larger. When using a cable reel, always unwind the cable completely.

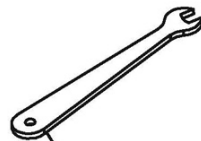
# OVERVIEW



Dust Port



Parallel Guide Fence



Blade Wrench



---

# OPERATION

---

## USING THE SAFETY KICKSTAND

The safety kickstand on the rear of the planer swings down to help keep the blade from touching the workbench when the planer is not being used.

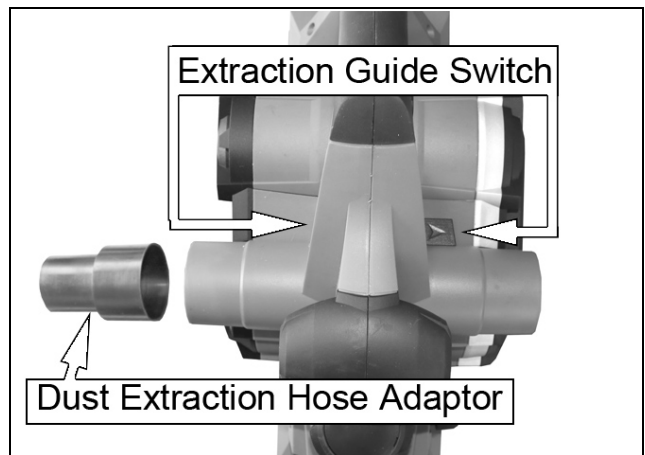
The kickstand is designed to swing up and out of the way when the back of the planer crosses the leading edge of the workpiece.



## DUST EXTRACTION

The wood shavings can be set to flow from either side of the tool to suit the task at hand.

1. Set the extraction guide switch to point towards the extraction port that you wish the chips to flow towards.
2. If desired, you can connect your planer to a suitable dust extraction system through the extraction port, the dust extraction hose adaptor (included) may be needed depending on the size of your extraction hose.



**WARNING: SHAVINGS MAY JAM IN THE DUST EXTRACTION PORT WHEN CUTTING DAMP WOOD. DO NOT INSERT YOUR FINGER INTO THE DUST EXTRACTION PORT. CLEAN OUT THE SHAVINGS WITH A STICK, BUT ONLY WHEN THE BLADE HAS STOPPED RUNNING AND THE TOOL HAS BEEN DISCONNECTED FROM THE POWER SOURCE.**

---

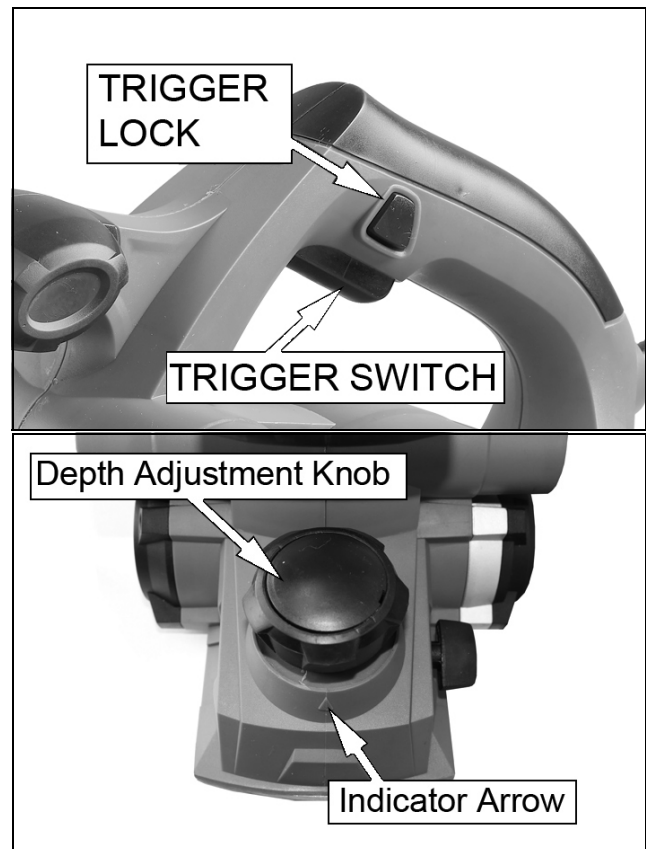
## SWITCHING ON/OFF

The planer has a trigger lock to prevent accidental start-ups.

1. To turn the planer on, push the trigger lock and then squeeze the trigger switch.
2. To switch off, release the trigger switch.

## ADJUSTING THE DEPTH OF CUT

1. Rotate the depth adjustment knob until the indicator arrow aligns with the desired cutting depth on the depth gauge.
  - The minimum cutting increment is 0.2 mm.
  - The maximum cutting depth of the planer is 3 mm.



**NOTE:** For optimal performance, set the cutting depth to 0.4 mm and make multiple cuts until you reach the depth required.



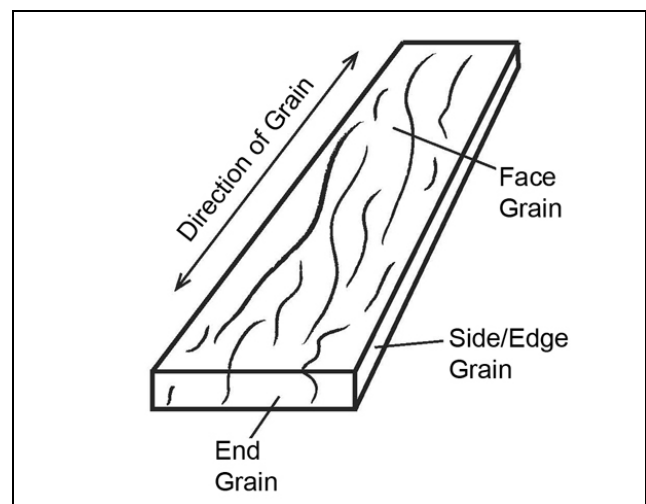
**CAUTION:** ALWAYS SET THE NUMBER ON THE DEPTH GAUGE TO "0" WHEN THE PLANER IS NOT IN USE. REMEMBER EVEN AT "0", A SLIGHTLY PROTRUSIVE BLADE COULD STILL MAKE CONTACT. ENGAGE THE SAFETY KICKSTAND TO PREVENT THE BLADE FROM TOUCHING THE WORKBENCH.

## GRAIN DIRECTION

Always cut in the same direction as the grain of the wood.

There are six sides to every board: two face grains, two side/edge grains, and two end grains.

When planing the face and side/edge grain, always plane in the direction of the grain.



**WARNING:** DO NOT PLANE ACROSS THE GRAIN OF THE WOOD. DO NOT PLANE END GRAIN AS THE WOOD WILL SPLINTER.

# USING THE PLANER

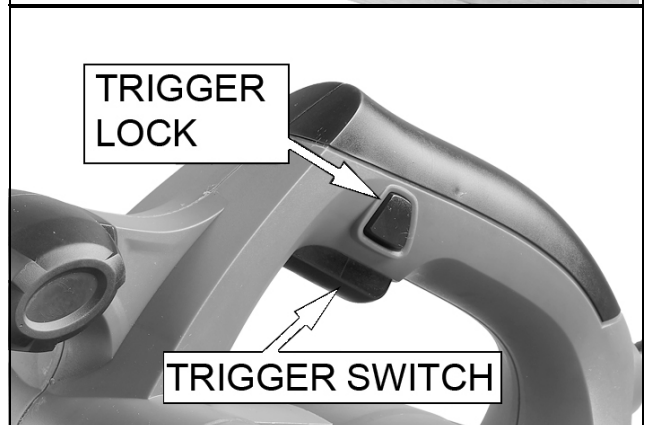


**WARNING: WEAR SAFETY GOGGLES AT ALL TIMES. USE EAR PROTECTION SUCH AS PLUGS OR EAR DEFENDERS DURING EXTENDED PERIODS OF OPERATION. WEAR A DUST MASK.**

1. Secure the workpiece to a stable platform.
2. Hold the planer firmly with both hands.
3. Rest the front shoe flat on the workpiece surface, ensuring that the blades do not make contact with the workpiece.



4. Switch the planer ON and wait for the blades to reach full speed.
5. Move the planer gently forward along the grain of the wood. Apply pressure on the front of the planer at the beginning of the stroke and at the rear of the planer towards the end of the stroke.



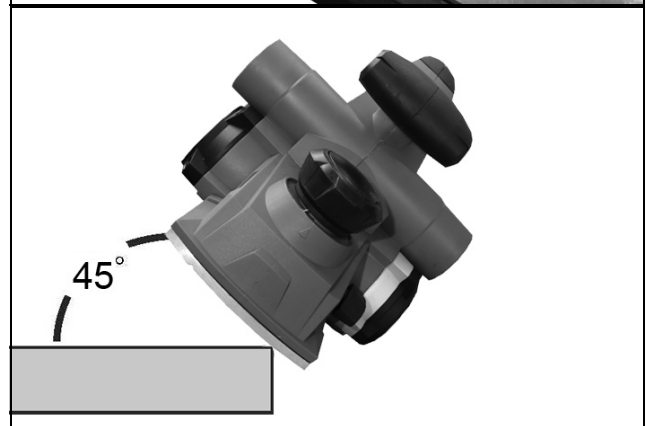
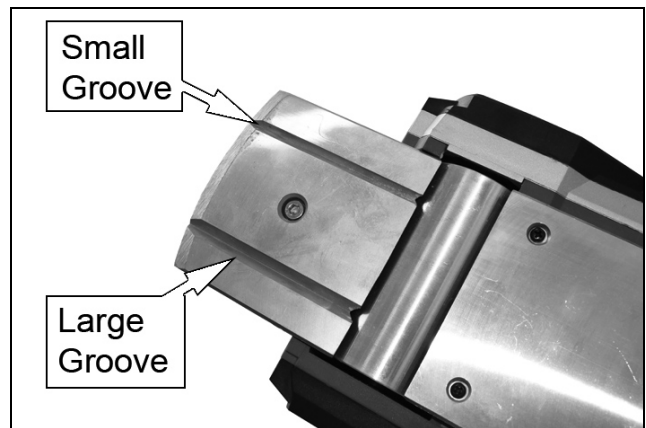
**NOTE:** The feed rate and the depth of cutting determine the quality of the finish. Reduce the depth of the cut to achieve a smoother finish.

6. Push the planer beyond the edge of the workpiece without tilting it downwards.
7. Turn off the planer and wait for the blade to stop before setting the planer down.

## MAKING A CHAMFER

The V-groove in the front shoe allows you to create a sloping edge along the corner of your workpiece.

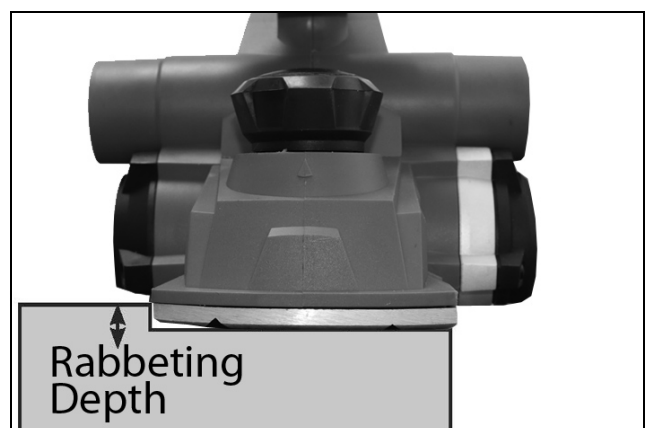
1. Make sure that the workpiece is secured to a stable platform.
2. Align the V-groove in the front shoe of the planer with the corner edge of the workpiece.
  - Be sure the blades are not touching the workpiece.
  - Place some weight on the depth adjustment knob so that the V-groove is absolutely flat on the edge to be beveled.
3. Switch the tool ON and wait for the blades to reach full speed.
4. Push the planer forward along the grain of the wood with steady pressure on the front shoe.
  - Push the planer beyond the edge of the workpiece without tilting it downwards.
5. Turn off the planer and wait for the blade to stop before setting the tool down.



## MAKING A RABBETING CUT

The planer can create rabbet cuts up to 8 mm, limited by the protruding housing on the right-hand side of the tool.

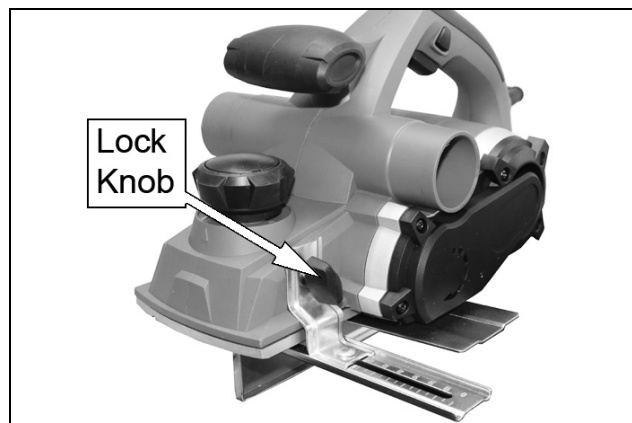
1. Make sure that the workpiece is secured to a stable platform.
2. Follow instructions on page 11 to perform your cut.
3. Make multiple progressive cuts to achieve the desired total cutting depth.



## USING THE PARALLEL GUIDE FENCE

The parallel guide fence ensures that the planer travels parallel to the edge of the wood, providing a straight cut at your desired cutting width. This feature is helpful for planing door edges, wood trim and boards. To attach the parallel guide fence:

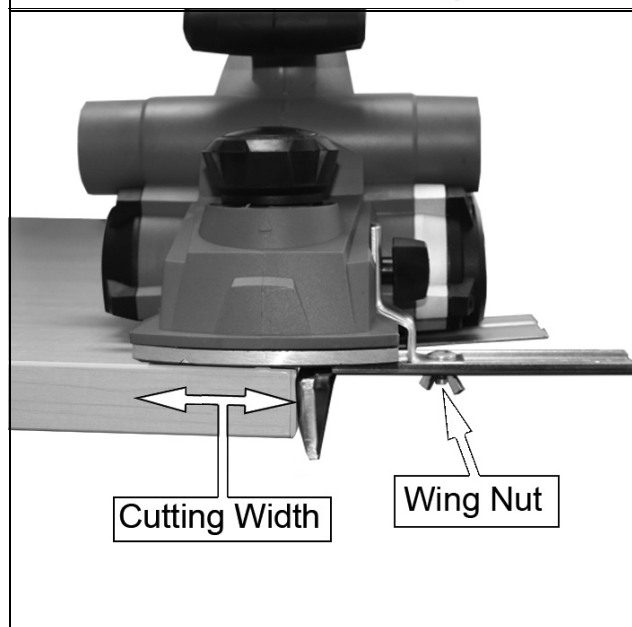
1. Disconnect the planer from the power source.
2. Attach the parallel guide fence to the left-hand side of the planer using the lock knob.



3. Loosen the wing nut on the parallel guide fence and slide the fence to set the desired cutting width indicated by the width gauge. Retighten the wing nut.

**NOTE:** To ensure a square cut, measure the front and back of the fence and use a square to make sure the guide is set straight.

4. Rest the front shoe flat on the workpiece surface and position the fence firmly against the edge of the workpiece. Follow instructions on page 11 to perform your cut.



**NOTE:**

## REMOVING OR INSTALLING PLANER BLADES



**WARNING: PLANER BLADES ARE SHARP AND FRAGILE. WEAR PROTECTIVE GLOVES TO PROTECT YOUR HANDS. HANDLE THE BLADES CAREFULLY TO AVOID PERSONAL INJURY OR DAMAGE TO THE BLADES.**



**WARNING: DO NOT ATTEMPT TO SHARPEN OR USE RESHARPENED BLADES.**

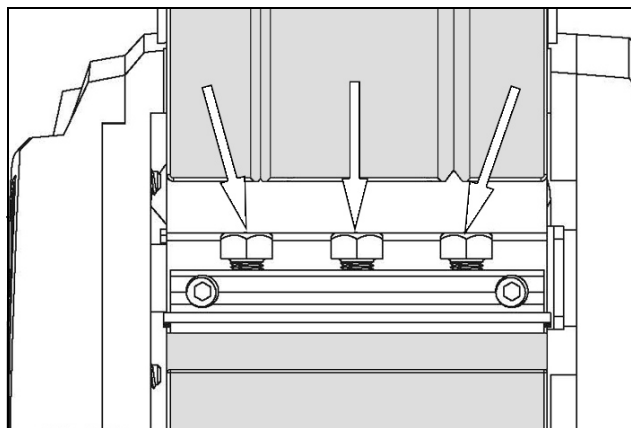
The condition of the blades will affect the precision of the cuts. Dull blades will tear wood fibers and produce fuzzy surfaces.

**NOTE:** Blades on this planer are reversible and must always be reversed or replaced as a matched set. Unbalanced blades can cause vibration and poor planing action while shortening the life of the blade and the tool. Keeping a spare set of blades on hand is recommended.



**WARNING: MAKE SURE THAT THE TOOL IS UNPLUGGED FROM THE POWER SUPPLY BEFORE MAKING ADJUSTMENTS OR INSTALLING OR REMOVING BLADES.**

1. Disconnect the planer from the power source.
2. Turn the planer upside down and rotate the blade drum to expose the clamping screws.
3. Loosen the three clamping screws using the onboard blade wrench stored in the planer body.



**CAUTION: THE BLADE DRUM CAN ROTATE AS YOU'RE DOING THIS SO BE CAREFUL NOT TO CONTACT THE BLADE WITH YOUR HAND. IF THE SCREW IS DIFFICULT TO LOOSEN, TRY TIGHTENING IT A LITTLE AND THEN LOOSEN IT.**

4. Hold the blade drum in place and carefully slide out the blade.

- You can also use a wooden block to push the blade out of the blade drum.

5. Clean out all foreign matter adhering to the blade drum and the blade using a brush or compressed air.

6. Each planer blade has two cutting edges and can be reversed when one of the cutting edges becomes dull or chipped.

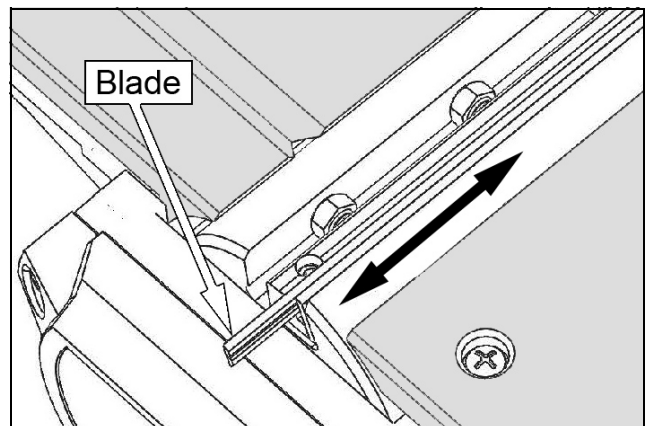
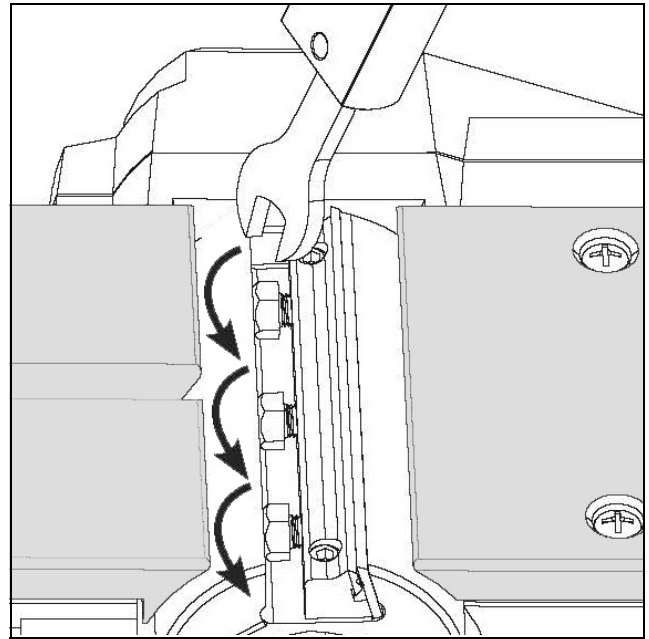
- If one edge is dull, reverse the blade.
- If both edges are dull, remove the old blade and replace it with a new one.

7. Slide the blade with the good side exposed into the blade retainer of the blade drum.

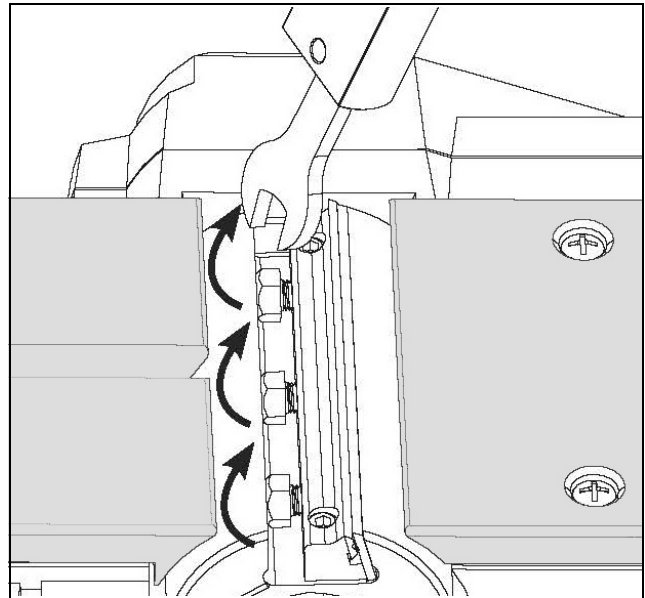
- Make sure the blade is positioned in the center of the blade drum.
- The flat side of the blade must be facing the front of the planer and the ridged side of the blade must be facing the back of the planer.

8. The blades must be mounted so that the cutting edge is absolutely level (parallel to the surface of the rear shoe). Check that both ends of the blade protrude evenly from the blade retainer of the blade drum.

**NOTE:** The planed surface will end up rough and uneven if blades are not set correctly or securely.



9. Tighten the clamping screws using the blade wrench, ensuring that all three screws are tightened evenly.
10. Repeat steps 2 - 9 for the installing/changing the second blade. It is important to reverse or replace the two blades at the same time so they are balanced with one another. Both blades must be set to the same cutting level and alignment, otherwise the planed surface will be rough and uneven.



**CAUTION: TIGHTEN ALL CLAMPING SCREWS CAREFULLY WHEN ATTACHING THE BLADES TO THE PLANER. A LOOSE CLAMPING SCREW CAN BE EXTREMELY DANGEROUS. CHECK REGULARLY TO MAKE SURE THAT ALL SIX CLAMPING SCREWS ARE TIGHTENED SECURELY.**

---

## **MAINTENANCE AND SERVICING**

---



**WARNING: MAKE SURE THAT THE PLANER IS TURNED OFF AND UNPLUGGED FROM THE POWER SOURCE BEFORE CLEANING AND MAINTENANCE OPERATIONS.**

**WARNING: REFER TO YOUR CLARKE DEALER IF INTERNAL MAINTENANCE IS NECESSARY.**

---

### **CLEANING**

- Keep the planer clean of any wood chips, dust, dirt or debris.
- Ventilation openings must be kept clean and free of foreign matter.
- The planer can be cleaned most effectively with compressed dry air. Always wear safety goggles when cleaning power tools with compressed air.



**WARNING: CERTAIN CLEANING AGENTS AND SOLVENTS DAMAGE PLASTIC PARTS. SOME OF THESE ARE: GASOLINE, CARBON TETRACHLORIDE, CHLORINATED CLEANING SOLVENTS, AMMONIA AND HOUSEHOLD DETERGENTS THAT CONTAIN AMMONIA.**

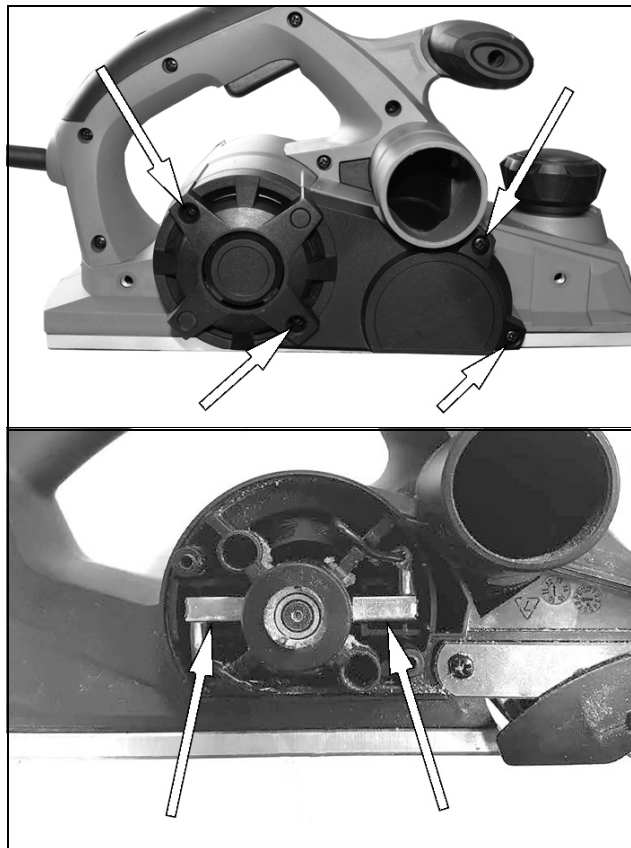


## CARBON BRUSHES

To maintain maximum efficiency of the motor, we recommend changing the carbon brushes every 60 hours of operation. Replacement carbon brushes are available from your CLARKE Dealer.

To inspect or replace the carbon brushes:

1. Unscrew and remove the motor cover on the right.
2. Carefully take out the two carbon brushes using pliers and replace with new brushes.
3. Replace the motor cover and secure with the screws.



## LUBRICATION

Your tool has been correctly lubricated and is ready to use.

## BEARINGS

Bearings that become noisy (due to heavy load or abrasive material damage) must be replaced by a qualified technician as soon as possible to avoid overheating or motor failure.

## DRIVE BELT

Inspect the drive belt every 60 hours of use. If the drive belt shows signs of drying out, cracking, tearing or improper tracking, it must be replaced. To replace the drive belt,

1. Unscrew and remove the belt cover on the left.
2. Replace with an identical replacement belt and replace the drive belt cover.



## SPECIFICATIONS

Model	CON950
Voltage	230V~ @ 50Hz
Rated Input Power	950W
Maximum Depth of Cut	3 mm
Planing width (Width of Cut)	110 mm
Rabbeting Depth	8 mm
Dust Extraction Diameter	Inner - 42 mm / Outer - 47 mm
Duty Cycle	S1 (continuous)
Weight	3 kg
Dimensions	320 x 200 x 190 mm
Sound Pressure	94 dB LpA
Guaranteed Sound Power	105 dB LWA
Vibration (Main handle)	Main handle - 4.7 m/s <sup>2</sup> Front handle - 11.6 m/s <sup>2</sup>
Uncertainty Factor (K)	1.5 m/s <sup>2</sup>

# DECLARATION OF CONFORMITY



Hemmill Street, Epping, Essex CM16 4LG

## DECLARATION OF CONFORMITY

This is an important document and should be retained.

We hereby declare that this product(s) complies with the following statutory requirement(s):

*Electromagnetic Compatibility Regulations 2016*  
*Supply of Machinery (Safety) Regulations 2008*  
*The Restriction of the Use of Certain Hazardous Substances in Electrical and Electronic Equipment Regulations 2012*

The following standards have been applied to the product(s):

EN 55014-1:2017, EN 55014-2:2015, EN 61000-3-2:2014, EN 61000-3-3:2013  
EN 62841-1:2015, EN 62841-2-14:2015, IEC 62321:2008, IEC 62321-4:2013+A1:2017,  
EN 62321-5:2013, IEC 62321-6:2015, IEC 62321-7-1:2015

The technical documentation required to demonstrate that the product(s) meet(s) the requirement(s) of the aforementioned legislation has been compiled and is available for inspection by the relevant enforcement authorities

The UKCA mark was first applied in: 2022

**Product Description:** 950W Corded Electric Planer  
**Model number(s):** CON950  
**Serial / batch Number:** N/A  
**Date of Issue:** 19/04/2022

Signed:

J.A. Clarke  
Director



Fitzwilliam Hall, Fitzwilliam Place, Dublin 2

## DECLARATION OF CONFORMITY

This is an important document and should be retained.

We hereby declare that this product(s) complies with the following directive(s):

2014/30/EU *Electromagnetic Compatibility Directive*  
2006/42/EC *Machinery Directive*  
2011/65/EU *Restriction of the Use of Certain Hazardous Substances in Electrical and Electronic Equipment Directive*

The following standards have been applied to the product(s):

EN 55014-1:2017, EN 55014-2:2015, EN 61000-3-2:2014, EN 61000-3-3:2013  
EN 62841-1:2015, EN 62841-2-14:2015, IEC 62321:2008, IEC 62321-4:2013+A1:2017,  
EN 62321-5:2013, IEC 62321-6:2015, IEC 62321-7-1:2015

The technical documentation required to demonstrate that the product(s) meet(s) the requirement(s) of the aforementioned directive(s) has been compiled and is available for inspection by the relevant enforcement authorities

The CE mark was first applied in: 2019

**Product Description:** 950W Corded Electric Planer  
**Model number(s):** CON950  
**Serial / batch Number:** N/A  
**Date of Issue:** 19/04/2022

Signed:

J.A. Clarke  
Director

# A SELECTION FROM THE VAST RANGE OF

# Clarke®

## QUALITY PRODUCTS

### AIR COMPRESSORS

From DIY to industrial, Plus air tools, spray guns and accessories.

### GENERATORS

Prime duty or emergency standby for business, home and leisure.

### POWER WASHERS

Hot and cold, electric and engine driven - we have what you need

### WELDERS

Mig, Arc, Tig and Spot. From DIY to auto/industrial.

### METALWORKING

Drills, grinders and saws for DIY and professional use.

### WOODWORKING

Saws, sanders, lathes, mortisers and dust extraction.

### HYDRAULICS

Cranes, body repair kits, transmission jacks for all types of workshop use.

### WATER PUMPS

Submersible, electric and engine driven for DIY, agriculture and industry.

### POWERTOOLS

Angle grinders, cordless drill sets, saws and sanders.

### STARTERS/CHARGERS

All sizes for car and commercial use.



**PARTS & SERVICE: 0208 988 7400**  
E-mail: [Parts@clarkeinternational.com](mailto:Parts@clarkeinternational.com) or [Service@clarkeinternational.com](mailto:Service@clarkeinternational.com)  
**SALES: UK 01992 565333 or Export 00 44 (0)1992 565335**

**Clarke® INTERNATIONAL** Hemnall Street, Epping, Essex CM16 4LG  
[www.clarkeinternational.com](http://www.clarkeinternational.com)